

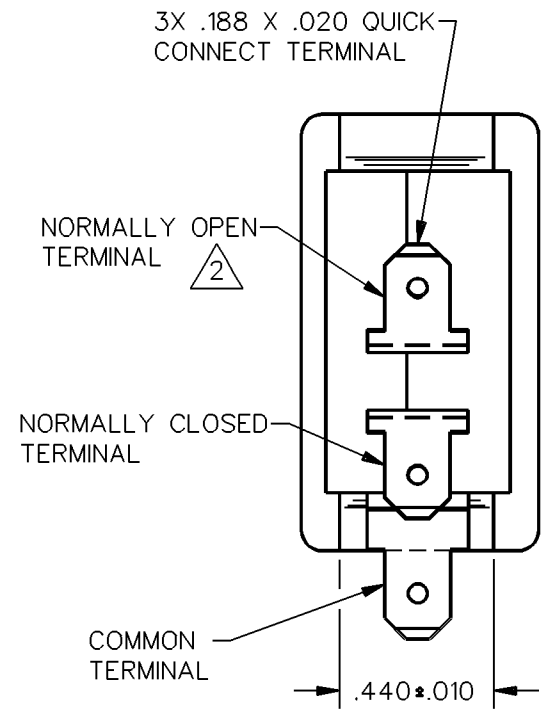
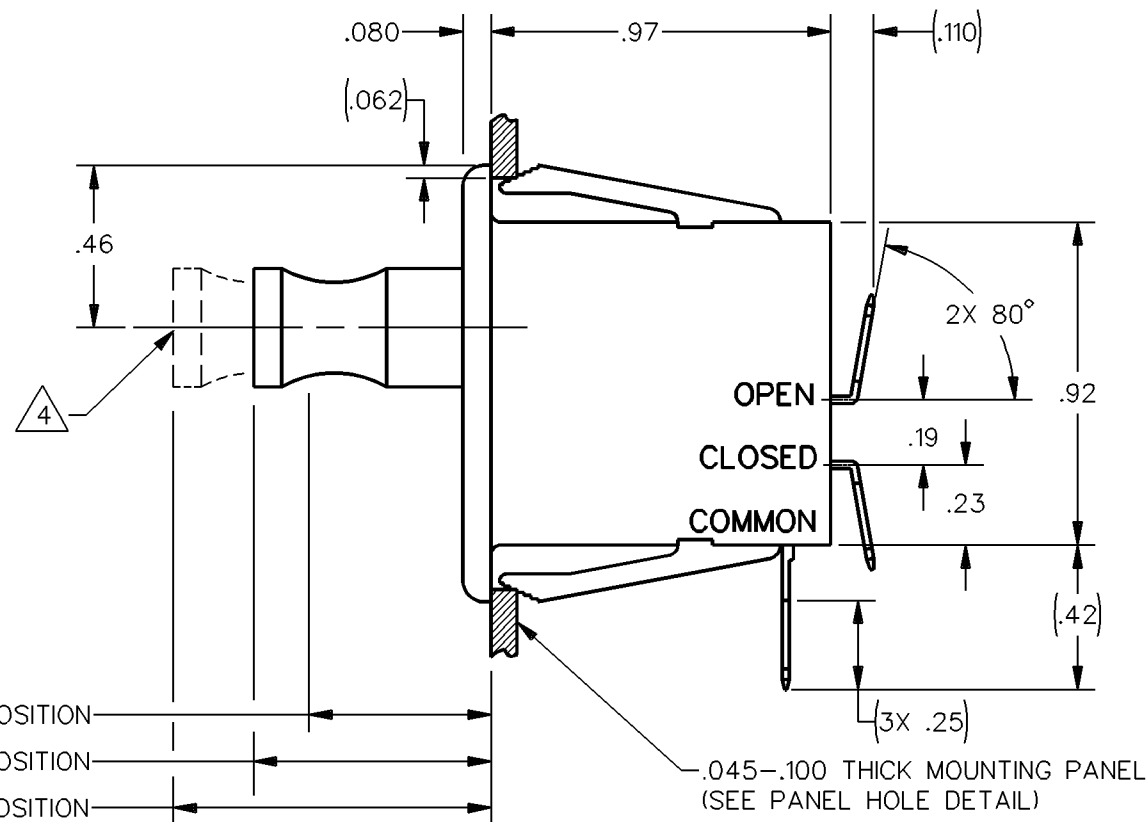
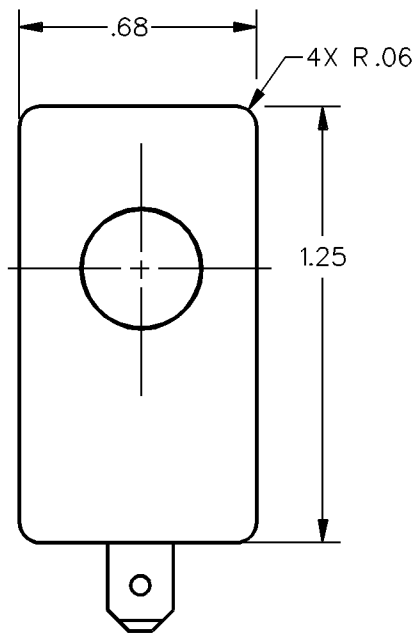
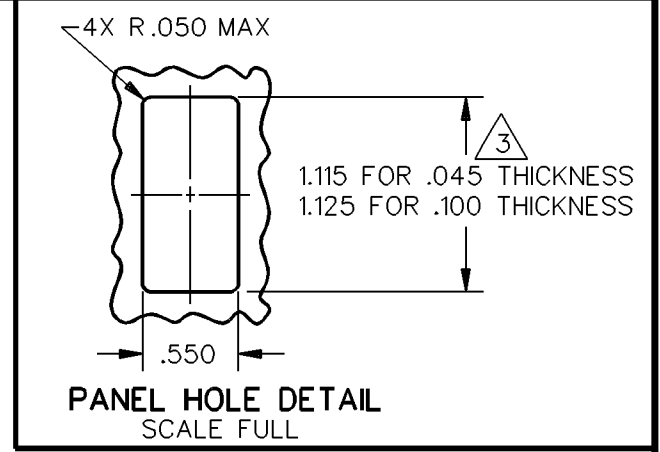
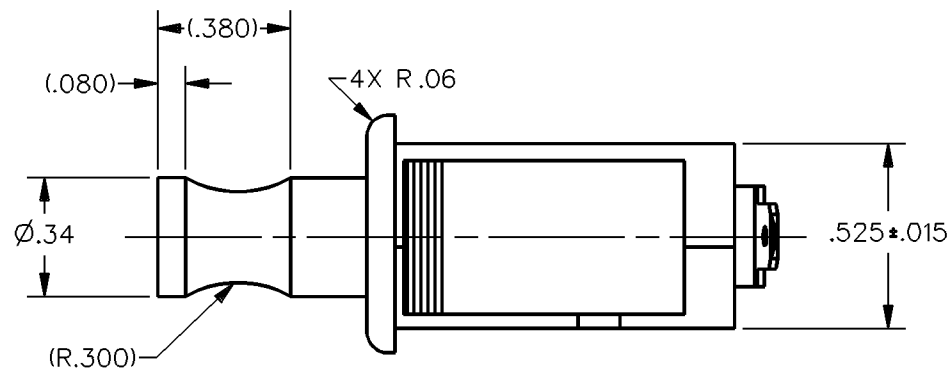
**MICRO SWITCH**  
a Honeywell Division

FED. MFG. CODE 91929

SWITCH - BASIC

CATALOG LISTING  
1DM401

CATALOG LISTING  
1DM401  
ISSUE  
5  
REPLACES  
PR-931  
CHECK  
CHECK  
REVISIONS  
A CO-72328  
DHD  
20 JUL 92  
DRAWN  
DHD  
20 JUL 92  
DMM/CAD



.520 MAX FULL OVERTRAVEL POSITION  
.700 ± .030 FREE POSITION  
.930 MAX EXTENDED POSITION

THIS DRAWING COVERS A PROPRIETARY ITEM AND IS THE PROPERTY OF MICRO SWITCH, A DIVISION OF HONEYWELL. THIS DRAWING IS NOT TO BE COPIED OR USED WITHOUT THE APPROVAL OF MICRO SWITCH

THIRD ANGLE PROJECTION
SCALE 2 TO 1
DO NOT SCALE PRINT
UNLESS OTHERWISE SPECIFIED TOLERANCES ARE
ONE PLACE (.0) ± .030
TWO PLACE (.00) ± .015
THREE PLACE (.000) ± .005
ANGLES ± 5°
WEIGHT

CHARACTERISTICS	ELECTRICAL DATA
OPERATING FORCE - - - - - 15 OZ MAX	CONTACT ARRANGEMENT S P D T
	L181 10A 1/2HP 125, 250 OR 277 VAC

- NOTES
- 1 - WHITE PLASTIC CASE AND PLUNGER
  - 2 - FLAG STYLE QUICK CONNECT RECEPTACLE REQUIRED FOR NORMALLY OPEN TERMINAL IF SWITCH IS WIRED BEFORE MOUNTING
  - 3 - NOMINAL CUTOUT DIMENSION FOR PANELS BETWEEN .045 AND .100 SHOULD BE INTERPOLATED BETWEEN 1.115 AND 1.125
  - 4 - PUSH TO OPERATE - MOMENTARY, PULL TO OPERATE - MAINTAINED

ANSI Y14.5M-1982 APPLIES